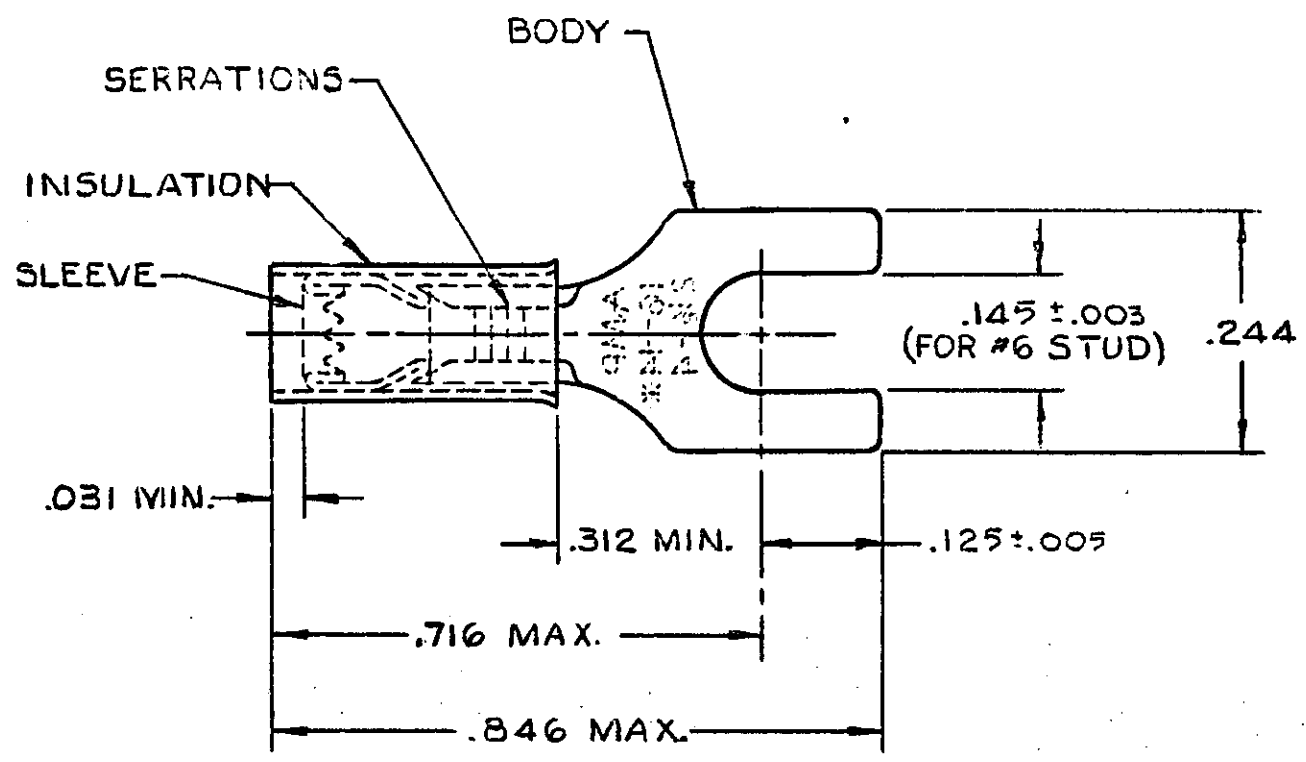


THIS DRAWING IS UNPUBLISHED. RELEASED FOR PUBLICATION, 19  
 © COPYRIGHT 19 BY AMP INCORPORATED, HARRISBURG, PA. ALL INTERNATIONAL RIGHTS RESERVED. AMP PRODUCTS MAY BE COVERED BY U.S. AND FOREIGN PATENTS AND/OR PATENTS PENDING.

REVISIONS						
P	F	ZONE	LTR	DESCRIPTION	DATE	APPROVED
✓	✓		D	REDRAWN-REVISED PER G-1479, G-1175, P85-0137 & P85-0138	2-13-86	PTM
✓	✓		E	OBSOLETE 1--4 PER G-2393	3/24/87	GS
✓	✓		F	OBSOLETE 1--3 PER G-3358	4-22-88	MS/LY
✓	✓		G	REV PER G-4732	JT 7/26/88	2/5
✓	✓		H	OBSOLETE 1--0 PER G-4184	JT 1/16/88	AGI
✓	✓		J	OBS. 1--2 PER G-4216	DKS 3-30-89	4Y
✓	✓		K	REV/0720-0066-93	4-14-93	TQ./ML



- 1 WIRE INSULATION DIA: SEE TABLE.
- 2 TONGUE MATERIAL THK.: .031 ± .002

	.115-.170	100	LOOSE PC, BOX	8-328281-1
<del>OBSOLETE</del>	<del>.115-.170</del>	<del>100</del>	<del>ON TAPE, SM. BOX</del>	<del>1-328281-4</del>
<del>OBSOLETE</del>	<del>.115-.170</del>	<del>1000</del>	<del>ON TAPE, LG. BOX</del>	<del>1-328281-3</del>
<del>OBSOLETE</del>	<del>.105-.170</del>	<del>2000</del>	<del>ON TAPE, REEL</del>	<del>1-328281-2</del>
	.115-.170	5000	ON TAPE, REEL	1-328281-1
<del>OBSOLETE</del>	<del>.105-.170</del>	<del>2000</del>	<del>LOOSE PIECE</del>	<del>1-328281-0</del>
	.115-.170	—	LOOSE PIECE	328281
	WIRE INS. DIA.	QUANTITY	DESCRIPTION	PART NO

UNLESS OTHERWISE SPECIFIED DIMENSIONS ARE IN INCHES. TOLERANCES ON: DECIMALS ± .008 ANGLES ± —	CONTRACT NO		AMP INCORPORATED Harrisburg, Pa.	
	DR UTA/RFB 10-4-85			
MATERIAL INSULATION: NYLON - BLUE BODY & SLEEVE: COPPER (CG-C-576) FINISH BODY & SLEEVE TIN PL (MIL-T-10727) .000100 MIN. THK.	CHK P. M. ... 2-13-86		NAME	
	APPD ... 2-13-86		TERMINAL P.I.D.G., SPADE WIRE SIZE: 16-14	
DSGN APPD	SIZE	FSCM NO	DRAWING NO	
OTHER APPD	B	00779	328281	
	SCALE	NTS	SHEET 1 OF 1	